

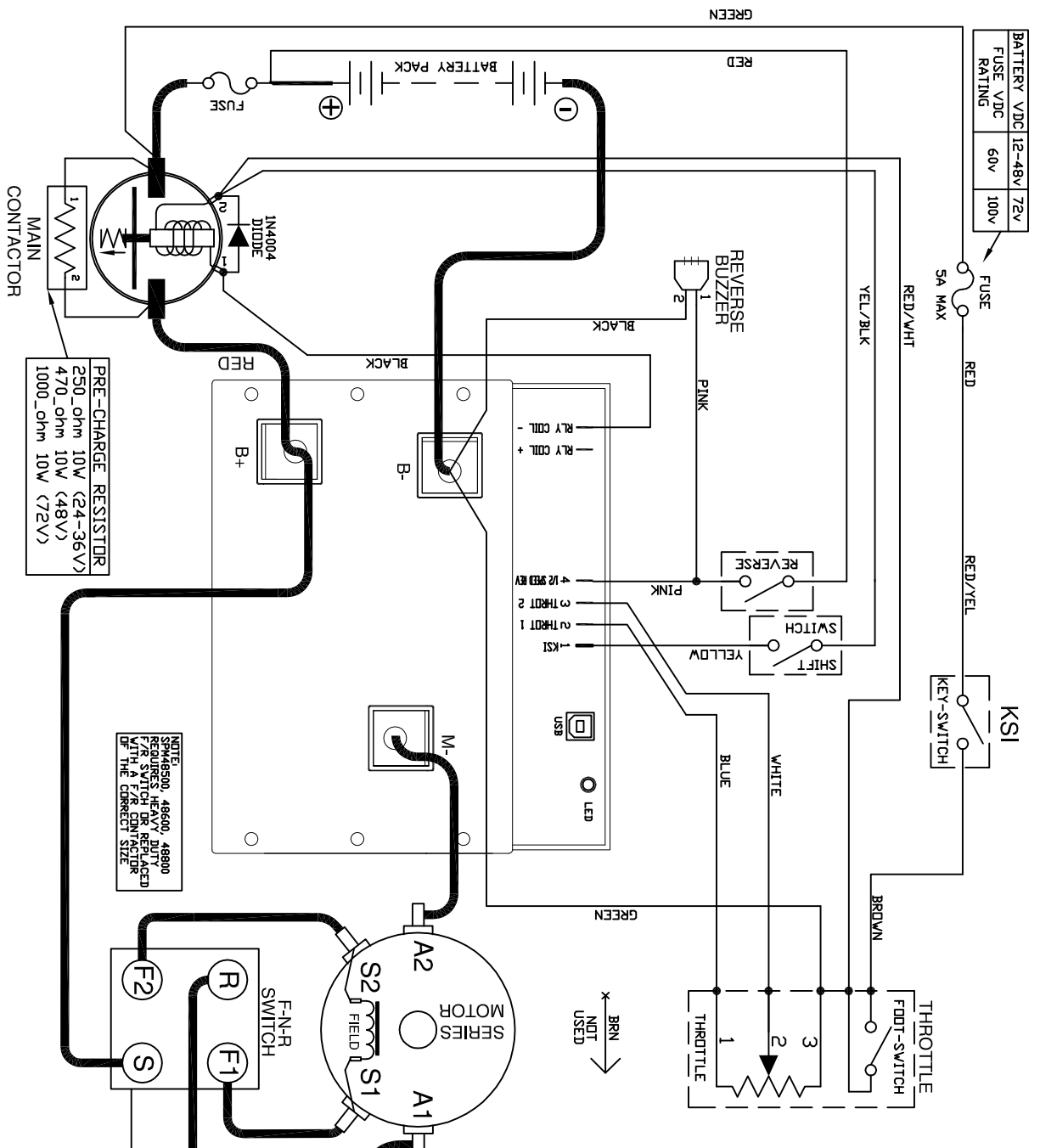
SPM - YAMAHA G8, 9, 14 & 16 WITH SERIES MOTOR - 3 WIRE THROTTLE

REPLACING STOCK CONTROLLER:

- * REMOVE BATTERIES AND CONTROLLER. CUT OFF WIRES FLUSH WITH FACEPLATE OF OLD CONTROLLER
- * CRIMP 3/16" RING TERM ON YEL/BLK WIRE. CONNECT TO SOLENOID WITH RED/WHT WIRE.
- * CRIMP 1/2" RING TERM ON GREEN WIRE. CONNECT TO B-
- * CUT OFF BROWN WIRE AND TAPE END (OR HEATSHRINK)
- * CRIMP 1/4" FEMALE SPADE TO WIRES. CONNECT TO AXE AS SHOWN
- * DRILL NEW MOUNTING HOLES IF NECESSARY
- * CONNECT LARGE WIRES TO CONTROLLER AS FOLLOWS:
 - > G2 to M- < B+ to B+ < B- to B-
 - > RECONNECT THROTTLE SENSOR PLUG AND PINK WIRE
 - * ADD RESISTOR ACROSS SOLENOID (NOT INCLUDED)
 - * ADD DIODE ACROSS SOLENOID COIL (NOT INCLUDED)

REPLACING AXE CONTROLLER

- * CRIMP 1/4" FEMALE SPADE TO BLUE WIRE. CONNECT TO PIN 2 (ADD EXTENSION IF NECESSARY)
- * REPLACE SPADE ON GREEN WIRE WITH 1/2" RING TERM AND MOVE TO B-



PRE-CHARGE RESISTOR

250_ohm 10W (24-36V)
470_ohm 10W (48V)
1000_ohm 10W (72V)

NOTES:

- * FUSES REQUIRED FOR ALL INSTALLATIONS
- * DIODE REQUIRED ACROSS COILS / RELAYS
- * PRE-CHARGE RESISTOR REQUIRED
- > ASSUMES FOOTSWITCH IS OPEN WHEN THROTTLE OFF
- > ALLTRAX RESERVES THE RIGHT TO CHANGE DOCUMENTATION WITHOUT NOTICE
- > ALLTRAX MAKES NO WARRANTY AS TO THE ACCURACY, SUFFICIENCY, OR SUITABILITY OF ANY TECHNICAL OR OTHER INFORMATION PROVIDED
- > SEE OPERATORS MANUAL FOR MORE INFORMATION

TAB	FUNCTION
1	KSI VOLTAGE
2	THROTTLE THROTTLE
3	1/2 SPEED REVERSE
4	BATTERY POSITIVE
B+	BATTERY NEGATIVE
B-	MOTOR MINUS
M-	

REVISIONS			
REV.	ECO.	DATE	APVD
B	032612	032712	RC
C	012513	012513	RC

DWG SCALE: 1:1	DRAWN	R CSUK	11/22/10
ENGR	D CROCKETT		11/22/10

<p>THIS TECHNICAL DATA IS PROPRIETARY AND TO ALLIANCE, INC. IT IS NOT TO BE REPRODUCED, COPIED, OR DISCLOSED IN WHOLE OR IN PART WITHOUT THE WRITTEN PERMISSION OF ALLIANCE, INC.</p>	
TITLE	SPM - YAMAHA G8,G9,G14,G16 Wiring Diagram
SIZE	DOCUMENT NO. DOC110-008
REV.	A

DO NOT SCALE DRAWING

ALLTRAX 1111 Cheney Creek Rd. Grants Pass, OR 97527 PHONE:(541) 476-3565

FUSE RATING		
ANN250	ANN400	ANN600
SPM48225	SPM48500	SPM48800
SPM48300	SPM48600	SPM48900

CONTACTOR RATING (Observe Coil Voltage)		
200amp	400amp	600amp
SPM48225	SPM48500	SPM48800
SPM48300	SPM48600	SPM48900

POWER WIRE SIZING	
SPM48225	6AWG - 4AWG
SPM48300	5AWG - 4AWG
SPM48400	4AWG
SPM48500	2AWG-1/0 AWG
SPM48600	2AWG-2/0AWG
SPM48800	2/0AWG-4/0AWG